

# 49SX CRYSTAL



Specifications		
Parameters	Standard	Options
Frequency range	3,200 MHz - 90,000 MHz	
Frequency stability	Please specify	
Overall		
Initial at 25°C		
Temperature		
Aging first year		
Aging over .... Years		
Operating temperature	0° C ~ +70°C	-20°C ~ +70°C -40°C ~ +85°C Other on custom request
Storage temperature	-40°C ~ +85°C	-55°C ~ +125°C
Load capacitance C1	10 pF ~ 120 pF or serie	
Equivalent series resistance ESR	see ESR table	Other on request
Shunt capacity Co	< 7 pF	Other
Aging	± 3 ppm /first year max.	Other on custom request
Insulation resistance	500 Mohms minimum at 100 VDC	
Drive level	10,0 to 1000 uW dependent of frequency	
Motional capacity C1	Please specify , if required	
Quality factor Q		
Co/C1		
Motional inductance L		
DFL (difference between 2 loadresonant frequencies)		
DLD ( drive level dependency )		
Spurious		
Marking	Freq	

# 49SX CRYSTAL

## ESR table

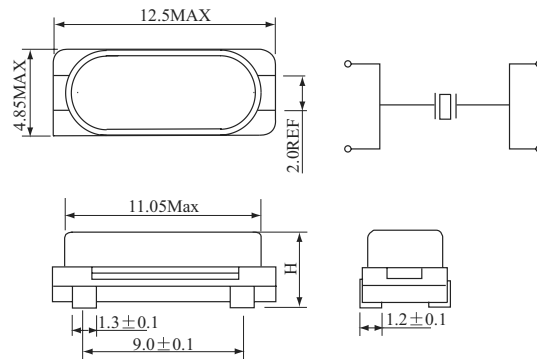
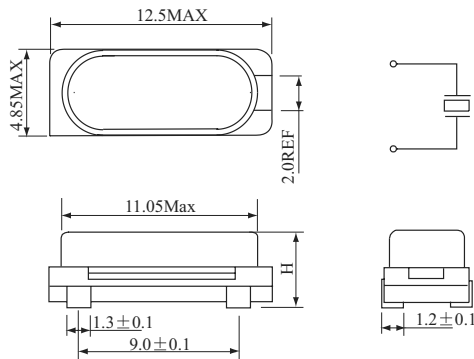
Frequency range	Mode	ESR ( ohms)
3.200 MHz - 4.999 MHz	Fund.	200 max.
5.000 MHz - 5.999 MHz	Fund.	150 max.
6.000 MHz - 7.999 MHz	Fund.	120 max.
8.000 MHz - 8.999 MHz	Fund.	90 max.
9.000 MHz - 9.999 MHz	Fund.	80 max.
10.000 MHz - 14.999 MHz	Fund.	70 max.
15.000 MHz - 15.999 MHz	Fund.	60 max.
16.000 MHz - 23.999 MHz	Fund.	50 max.
24.000 MHz - 39.999 MHz	Fund.	40 max.
24.000 MHz - 29.999 MHz	3 rd	150 max.
30.000 MHz - 90.000 MHz	3 rd	100 max.

## DRAWING

Package	49SX1 : 4 mm height 49SX3 : 5 mm height	49SX2 : 4 mm height 49SX4 : 5 mm height
---------	--	--

49SX1 & 49SX3

49SX2 & 49SX4



H  
49SX1 : 4 mm  
49SX3 : 5 mm

H  
49SX2 : 4 mm  
49SX4 : 5 mm